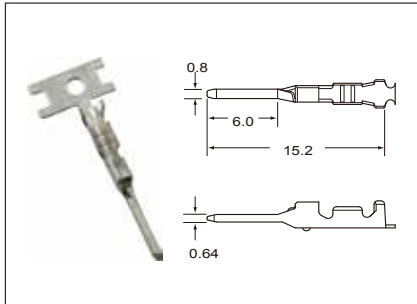


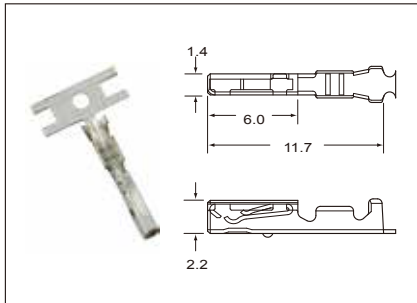
025 JSTC JWPF SERIES

SEALED

TERMINAL



| ITEM NO. | WIRE RANGE | | MATERIAL | PLATINGS | Q'TY REEL | APPLICATOR | DIES |
|-----------|------------|-----------------|----------|----------|-----------|-------------|------------|
| | A.W.G. | mm ² | | | | | |
| 1101A1000 | 26-22 | 0.13-0.33 | Brass | Pre-Tin | 8000 | CDM-98048-S | CDT-9805-S |



| ITEM NO. | WIRE RANGE | | MATERIAL | PLATINGS | Q'TY REEL | APPLICATOR | DIES |
|-----------|------------|-----------------|--------------|----------|-----------|-------------|------------|
| | A.W.G. | mm ² | | | | | |
| 1211A1000 | 26-22 | 0.13-0.33 | Copper Alloy | Pre-Tin | 8000 | CDM-98048-S | CDT-9806-S |

HOUSING


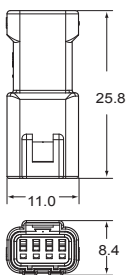

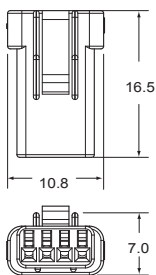

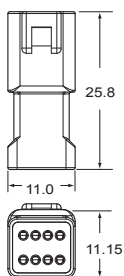

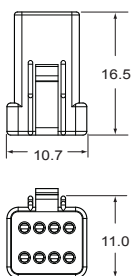
| POLE | MALE | | FEMALE | |
|------|--|-----------------------------|--|-----------------------------|
| 2 | 3102A1004 100 PCS | 15.7 7.05 8.1 | 3202A1004 100 PCS | 16.5 6.75 7.0 |
| | 3103A1004 100 PCS | 25.8 9.0 8.4 | 3203A1004 100 PCS | 16.5 8.8 7.0 |

• HOUSING (UNIT : mm)
MATERIAL : PBT
COLOR : WHITE

025 JSTC JWPF SERIES

SEALED

HOUSING

| POLE | MALE | FEMALE |
|------|---|--|
| 4 | <p>3104A1004</p>   <p>100 PCS</p> | <p>3204A1004</p>   <p>100 PCS</p> |
| 8 | <p>3108A1004</p>   <p>100 PCS</p> | <p>3208A1004</p>   <p>100 PCS</p> |

• HOUSING (UNIT: mm)
MATERIAL: PBT
COLOR: WHITE